

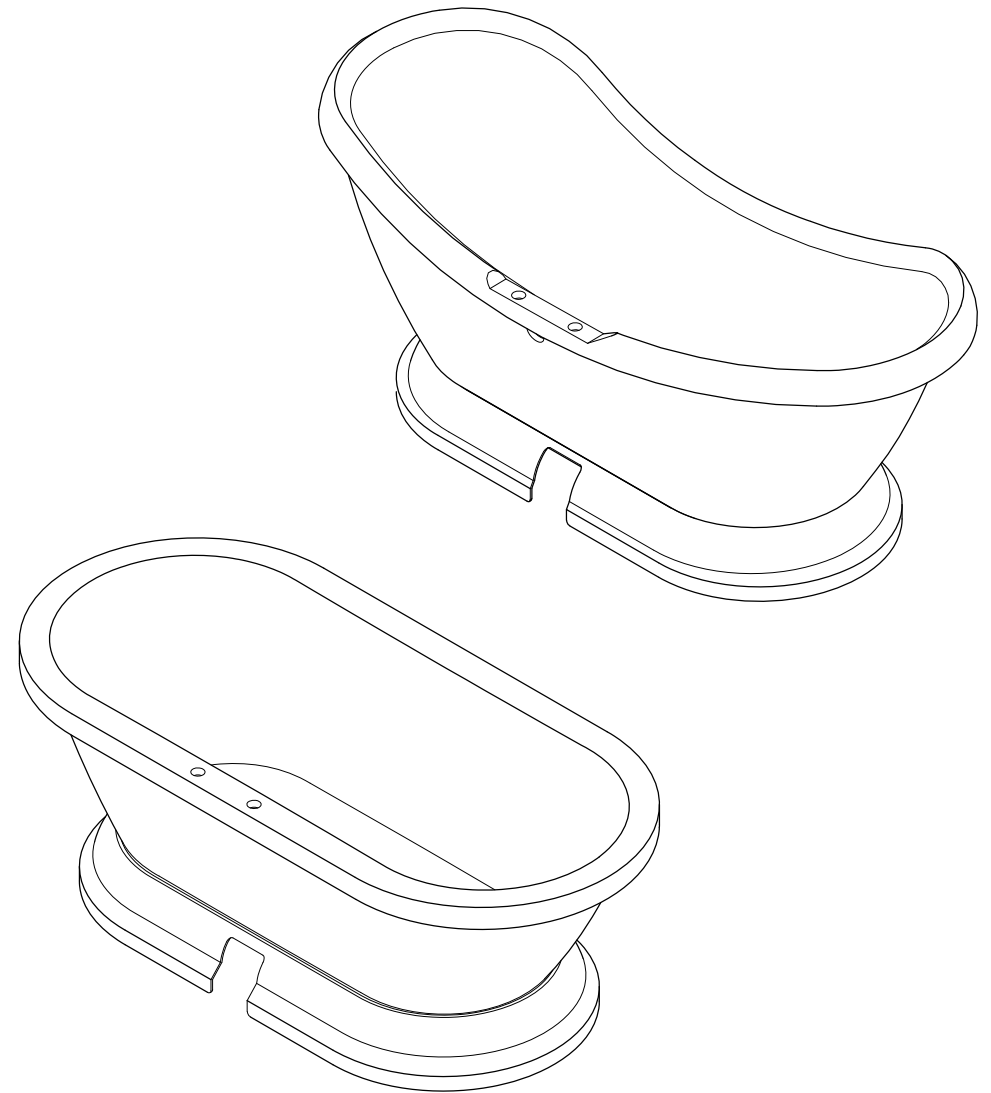
## Important

Before you begin Installation please read the following instructions, observe all local plumbing and building codes.

- Check area where tub will be installed to ensure that it is leveled and structurally sound.
- Please unwrap the tub and check it carefully for any damage that may have occurred during transportation.
- Check that all parts are included.
- If you have any missing parts, damage is found or have any questions regarding the installation process contact customer service at (877)-252-7277.
- Store bathtub in a safe place until you begin installation to avoid damage to the tub's surface.
- No claims for damages or blemishes will be accepted once the tub has been installed.
- We recommend that the installation of this tub be done by a qualified licensed professional.
- Because of its weight and volume we recommend that the installation of this tub be done with the help of at least one other person, a fall even what may seem like a minor one may result in cracking of the tub, moving straps and rubber gripped gloves are recommended.
- These Installation instructions do not include details of waste connections, the final details should be determined by your contractor

# Aqua Eden

ELEMENTS OF DISTINCTIVE STYLE



[www.kingstonbrass.com](http://www.kingstonbrass.com)

TOLL-FREE CUSTOMER SERVICE: 1-877-2-KBRASS

TECHNICAL SUPPORT E-mail: [service@kingstonbrass.com](mailto:service@kingstonbrass.com)

12775 Reservoir Street, Chino, CA 91710

# Aqua Eden

ELEMENTS OF DISTINCTIVE STYLE

## INSTALLATION INSTRUCTIONS

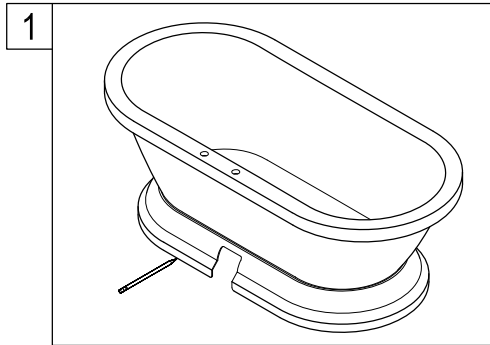
### Cast Iron Tub with or without Drain

#### Caution

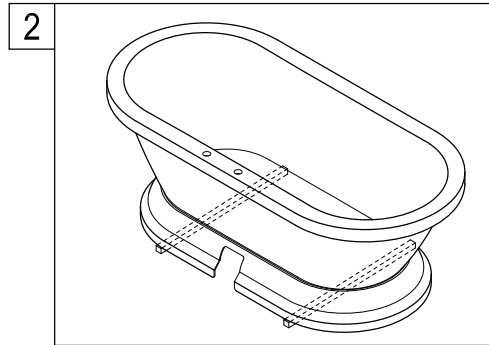
This bathtub is heavy. Get help lifting and moving this tub. Read all instructions thoroughly before starting the installation.

#### Important Points to Remember :

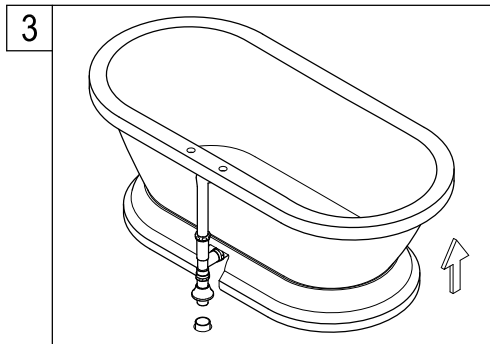
1. Provide adequate floor support.
2. Make sure the subfloor is level. Provide drain access from below. Provide access to all plumbing connections. Observe local building and plumbing codes.



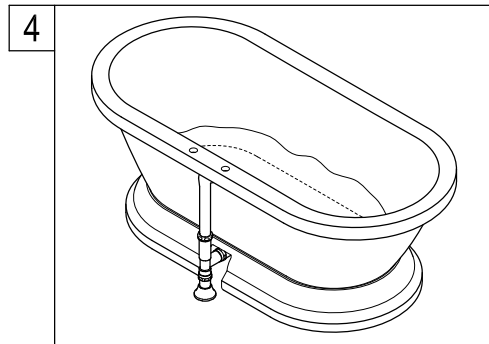
1. Clean level and prepare floor for installation, measure the location where the tub will be placed and determine the location of the drain, rough in drain.



2. Place tub on top of 2 pieces of 4" x4" lumber slide into place, install waste and overflow as per manufacturer's instructions.

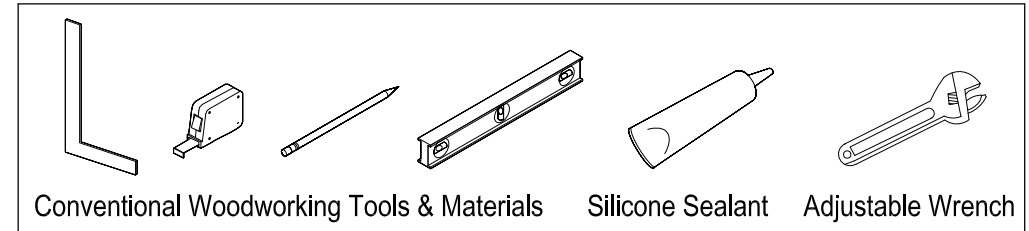


3. With the help of 2 or more people, lift tub, remove lumber rails and set tub into place, connect waste and overflow to the drain pipe.



4. Close the drain and fill the tub with water to the overflow and then drain the tub while inspecting the waste and overflow connections for leaks.

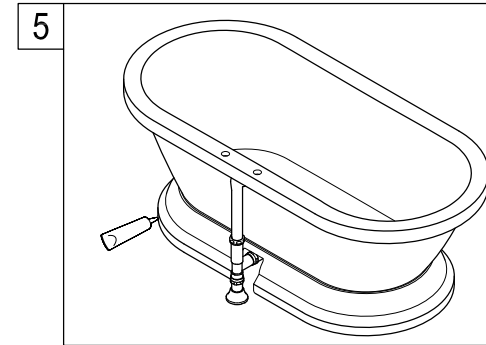
#### Need Tools:



Conventional Woodworking Tools & Materials

Silicone Sealant

Adjustable Wrench



5. Apply a bead of caulking around the perimeter of the tub; wipe off any excess with a wet cloth.

#### Cleaning

Clean with a damp cloth only.

Avoid using metal or abrasive polishes.