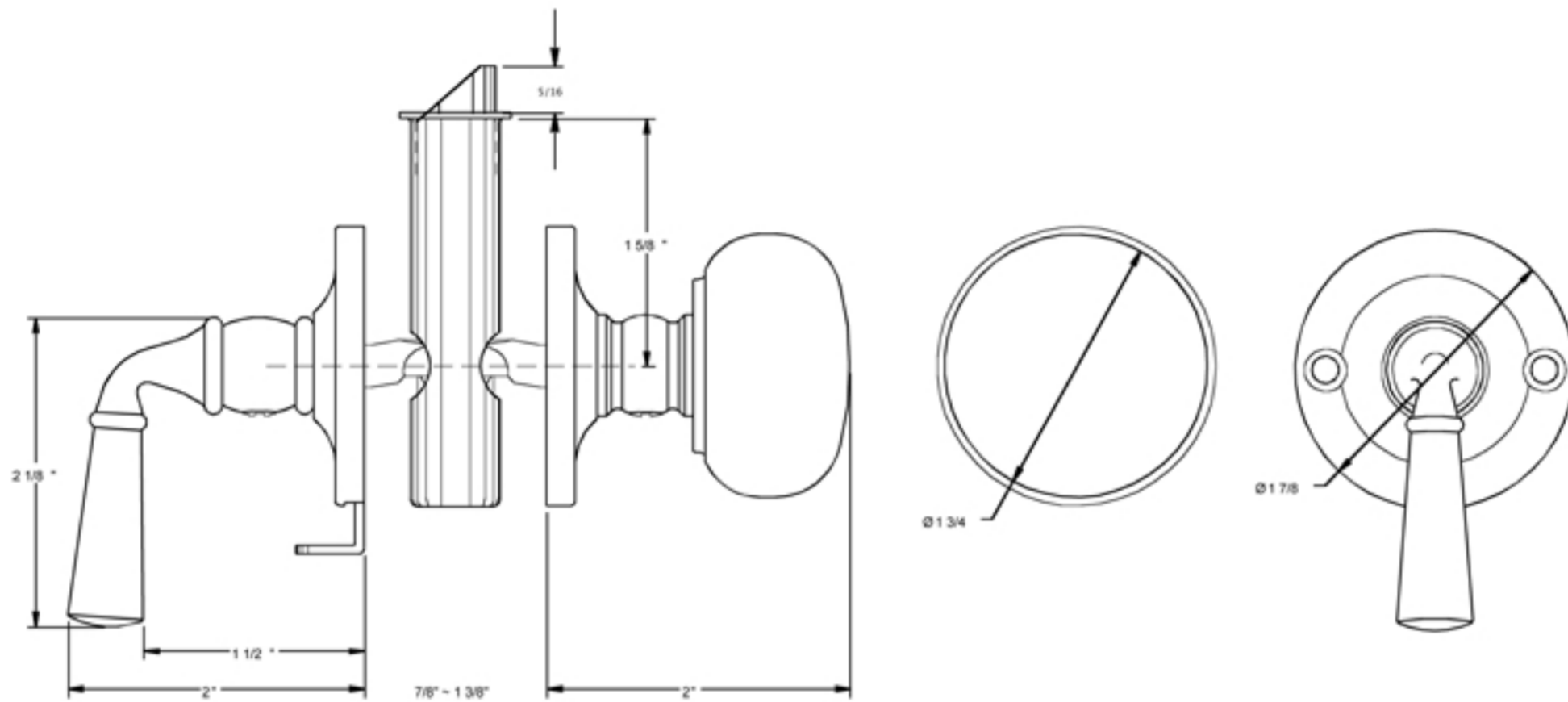


# SDL980

## Storm Door Latch



### SDL980

INSTRUCTIONS FOR INSTALLATION OF STORM DOOR LATCH SQUARE



**Spindle Length: 3"**

**Door thickness: Minimum 7/8"  
Maximum 1 3/8"**

