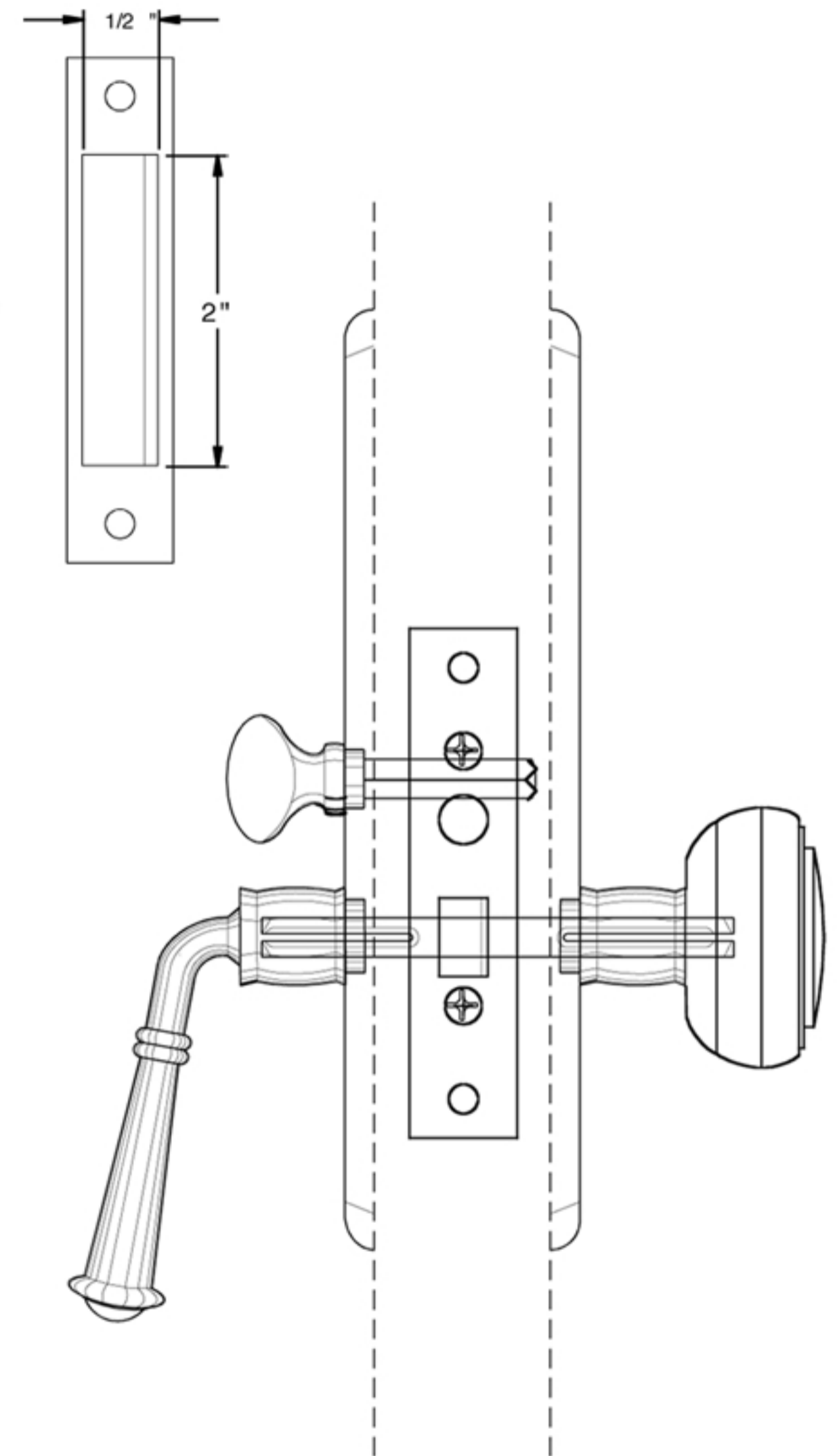
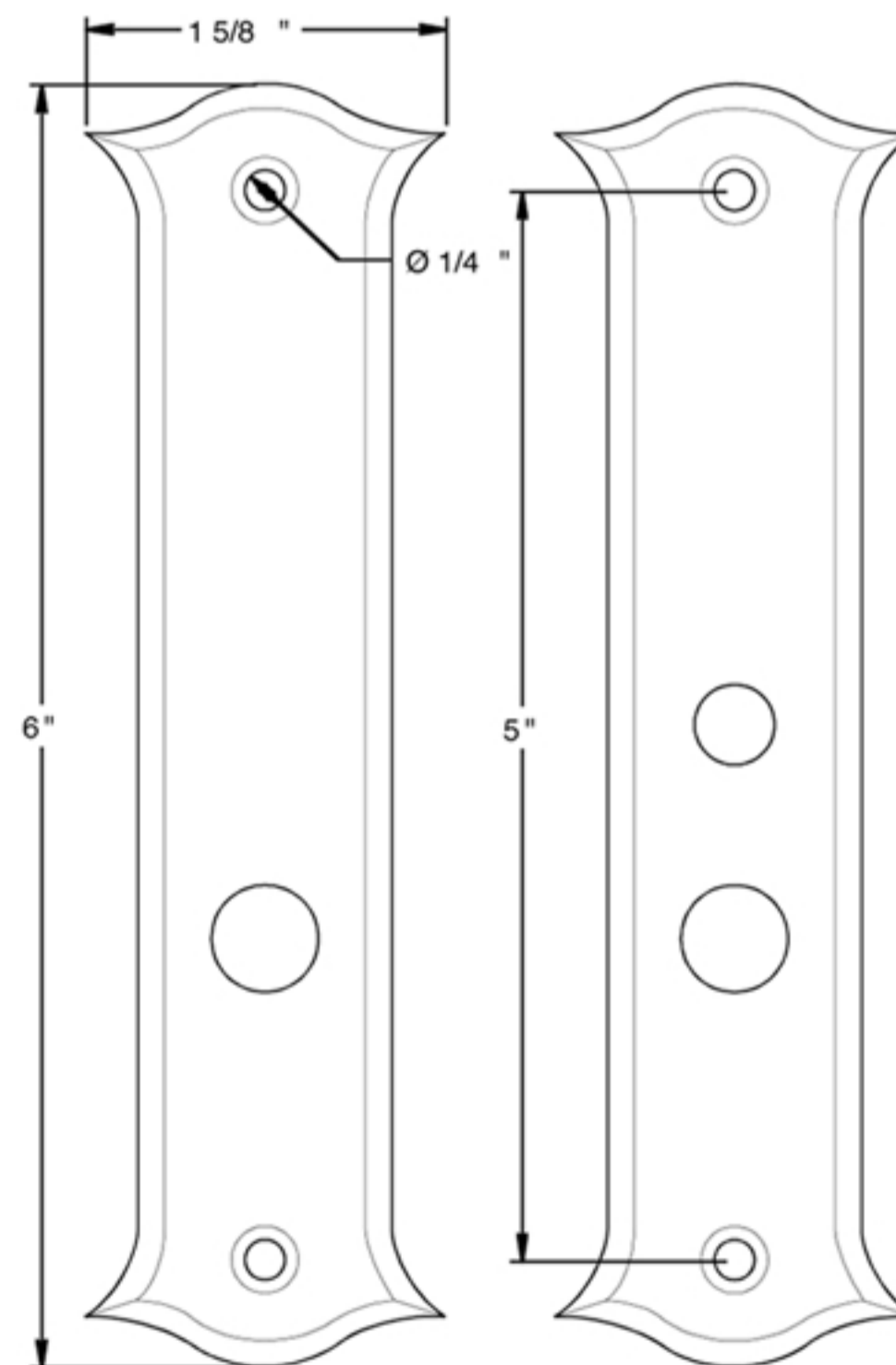
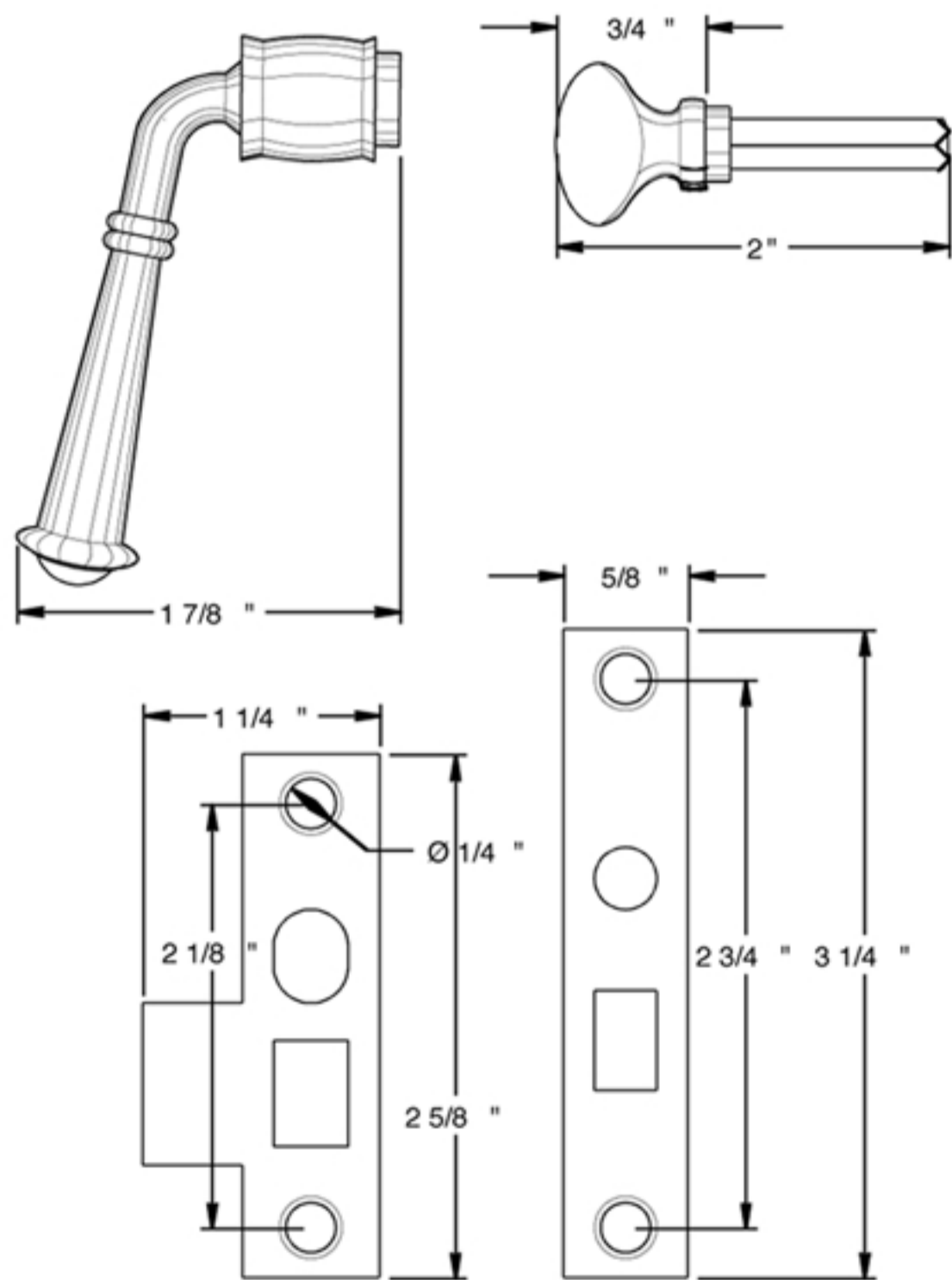
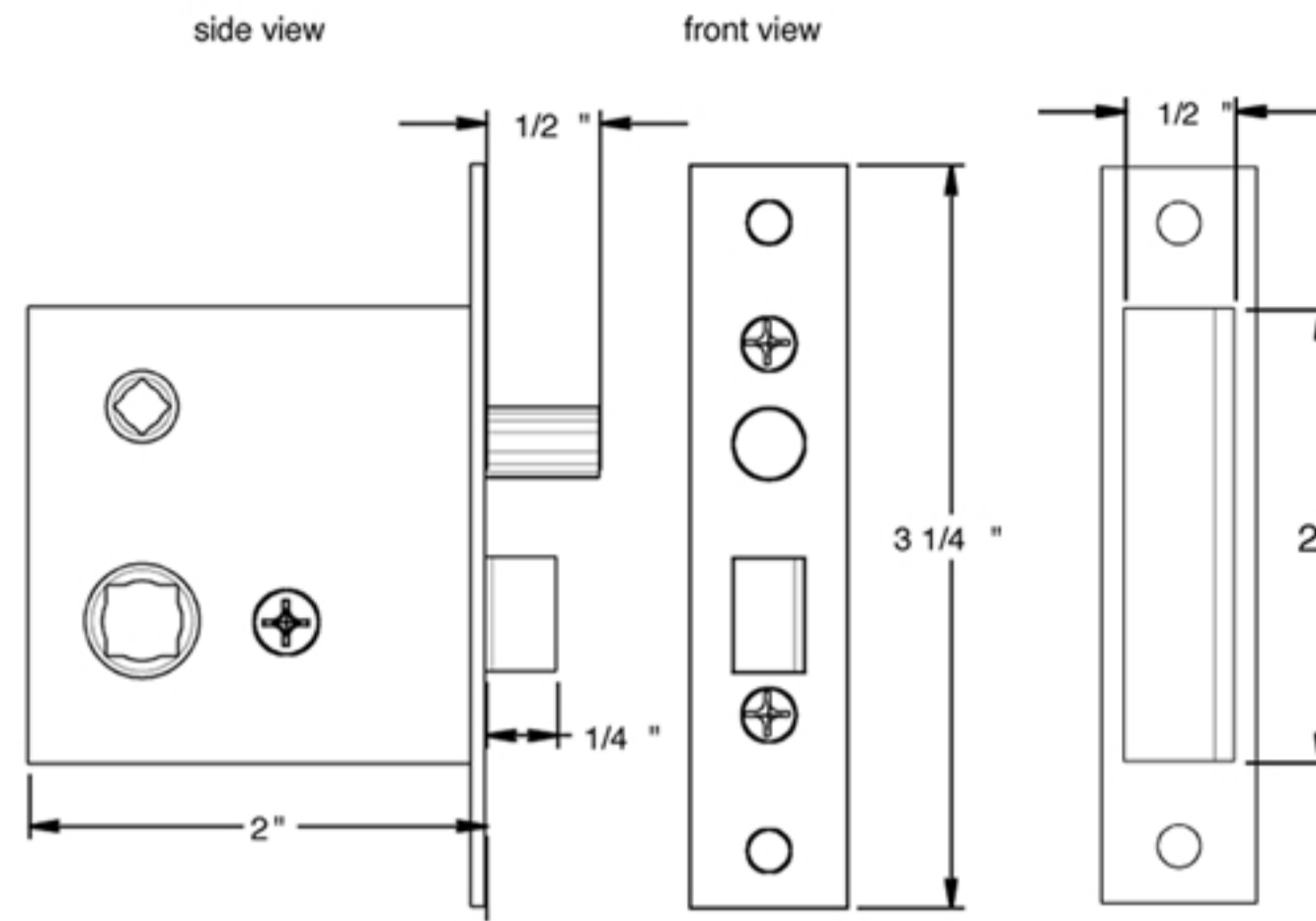
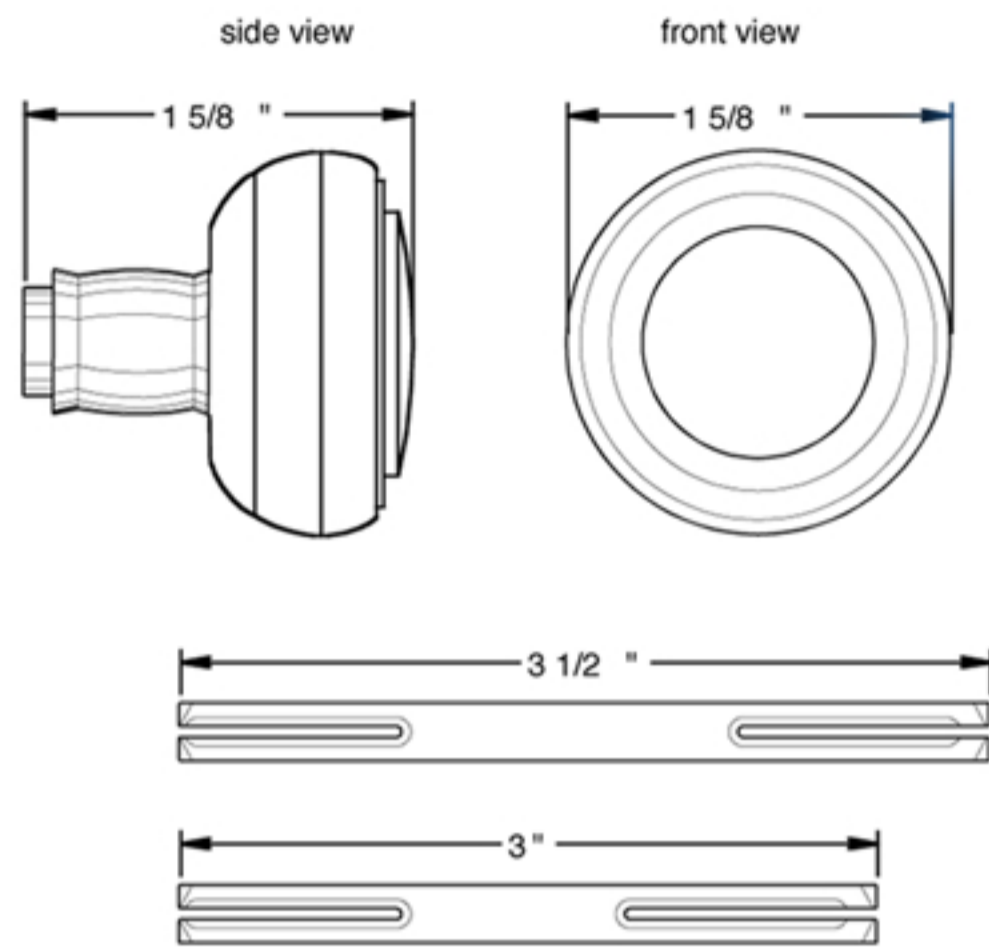


SDL688

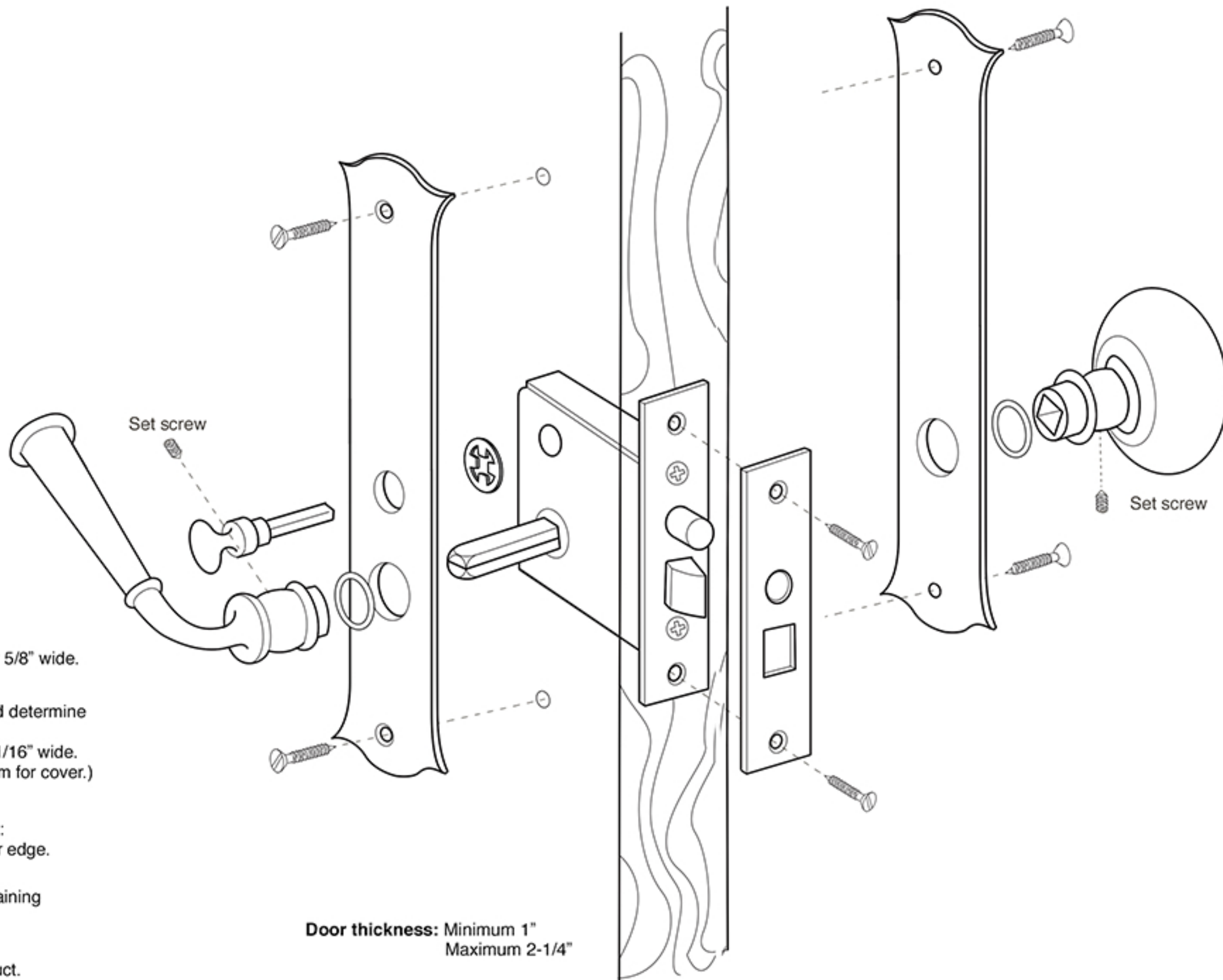


SDL688

INSTRUCTIONS FOR INSTALLATION OF SCREEN DOOR LATCH MORTISE LOCK



Strike Plate
installs on door jamb



1. Mortise hole for Lock Body:
2-1/8" deep by 2-1/2" tall by 5/8" wide.
2. Insert Lock Body in hole and determine
the cutout for plate face:
1/8" deep by 3-1/8" tall by 11/16" wide.
(This cut depth includes room for cover.)
3. Drill 5/8" holes through door:
1-1/2" (backset) in from door edge.
4. Mount Side Plates and remaining
hardware as shown.
5. Fit screws and tighten product.

Door thickness: Minimum 1"
Maximum 2-1/4"