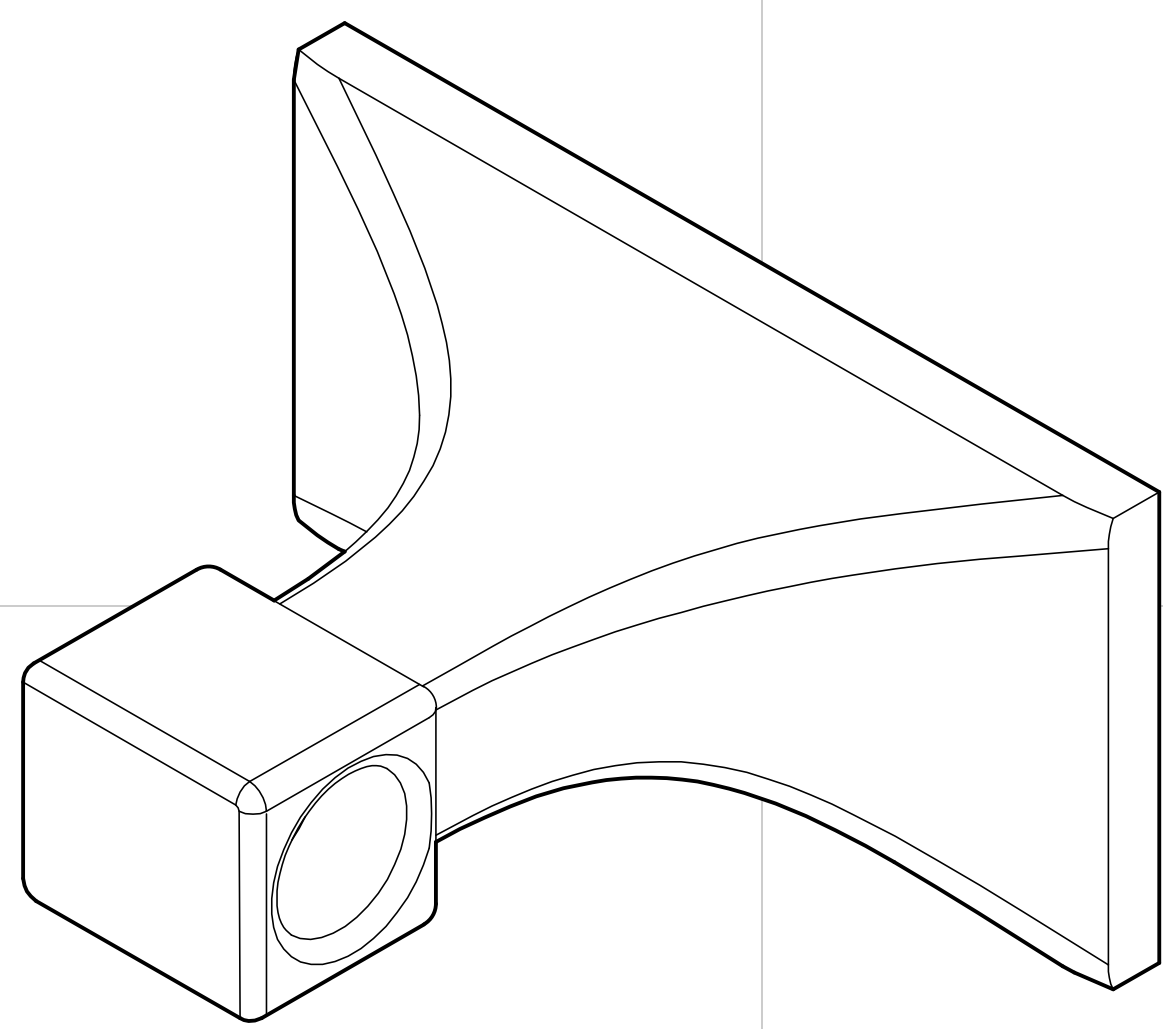
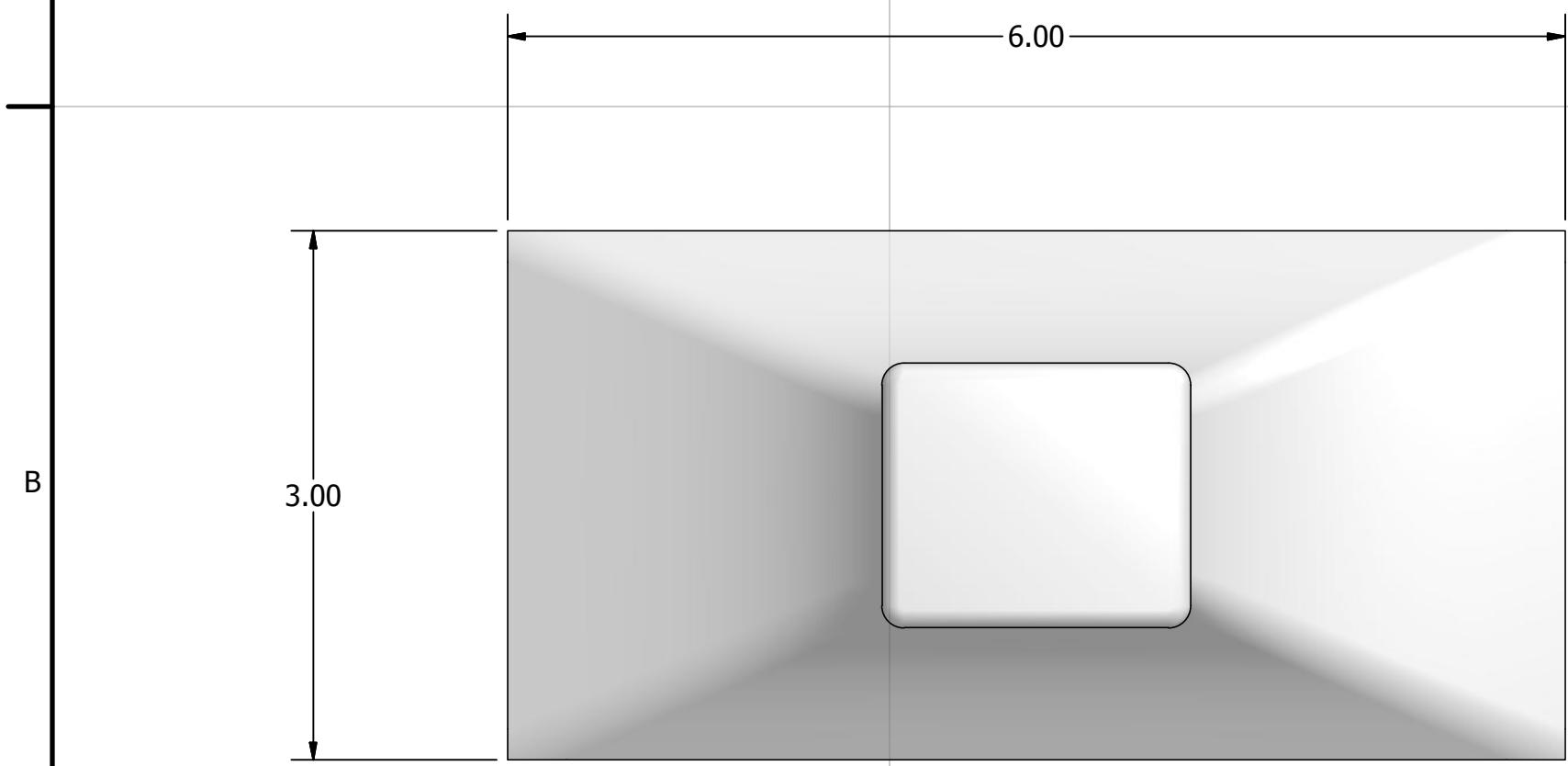


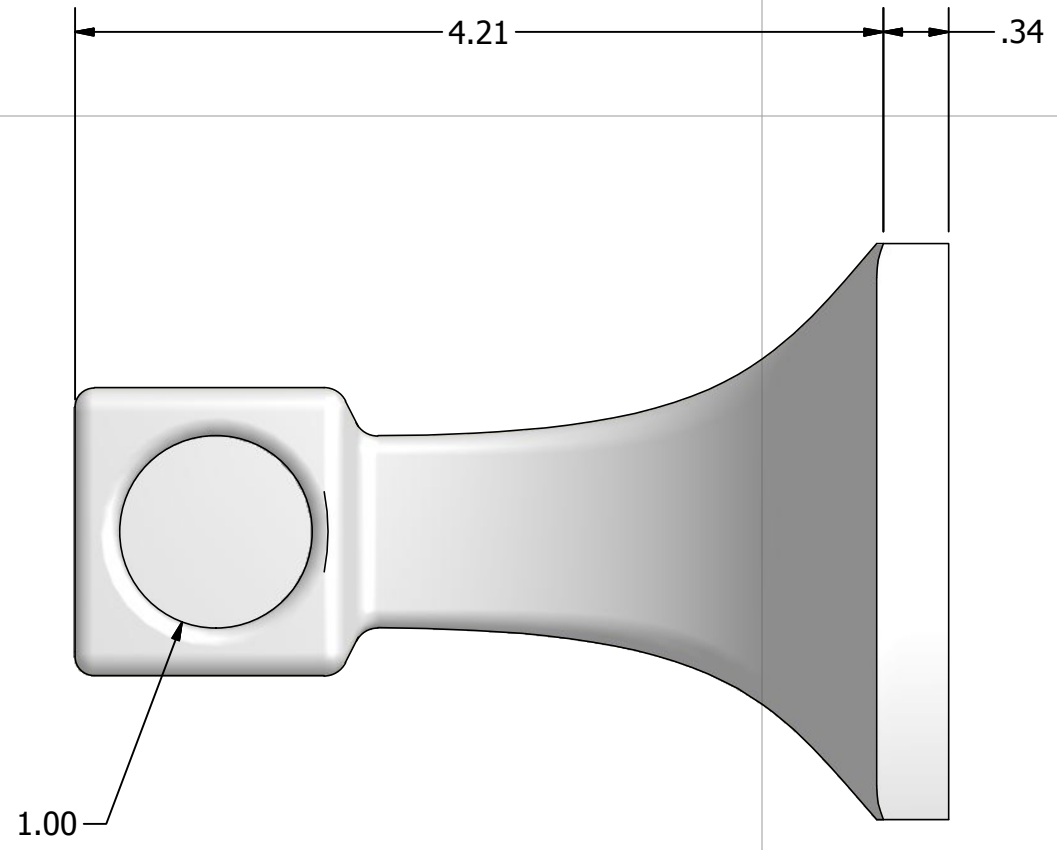
TOP




ORTHOGRAPHIC




FRONT



SIDE

 <b>HERITAGE TILE™</b> <small>WE CARE ABOUT THE CRAFT</small>	
<b>DRAWN BY:</b>	CHRIS METROPULOS
<b>OWNER:</b>	HERITAGE TILE LLC
<b>SPACING:</b>	1/16"
<b>DATE DRAWN:</b>	6/12/2014
<small>DISCLAIMER NOTE:          These Drawings accurately represent accurate technical specifications of actual product. For additional technical information please contact Heritage Tile LLC.</small>	

		
<b>DESCRIPTION:</b> 3" X 6" TILE-IN TOWEL BAR END; SOLD AS PAIR [PROTRUDES 4-3/16" WHEN TILED-IN, ROD INSERT RADIUS IS APPROX. 3/4"]		
<b>CATEGORY:</b>	<b>PRODUCT CODE:</b>	<b>DWG NO.</b>
INTEGRATED CERAMIC ACCESSORIES	36TB00	<b>18.D</b>
<b>SCALE: 1:1</b>		