

# T110 Beacon Hill



**American Bath Factory**  
DECADES OF DEPENDABILITY

## SPECIFICATION SHEET

### Double Ended Specialty Bathtub

**Overall Dimensions:** 70" L x 32" W x 23½" H

**Capacity:** 40 Gallons

**Weight:** Without Champagne:

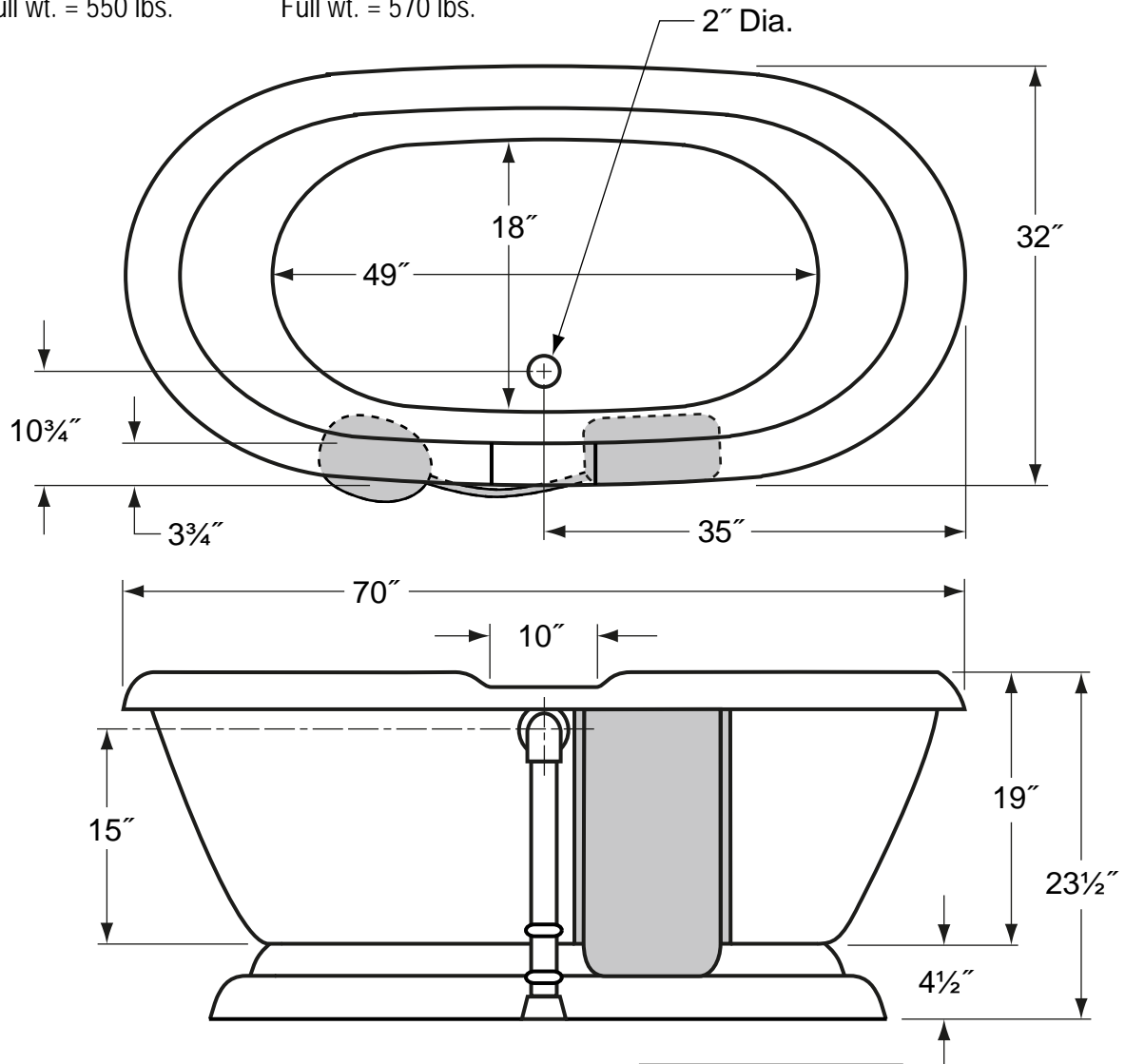
Dry wt. = 215 lbs.

Full wt. = 550 lbs.

With Champagne:

Dry wt. = 235 lbs.

Full wt. = 570 lbs.



- Shaded areas only included on models with Champagne Massage®.
- Champagne Massage® blower unit (12" L x 7" W x 10" H) is connected with a three foot adjustable hose and fits within the overall dimensions of the bathtub.
- The illustration above is shown with the standard waste & overflow. See individual specification sheets for waste & overflow dimensions.
- Dimensions shown have a tolerance of  $\pm \frac{1}{2}$ ".
- Dimensions shown not to scale.
- See Clawfoot Guide for detailed installation instructions.

