

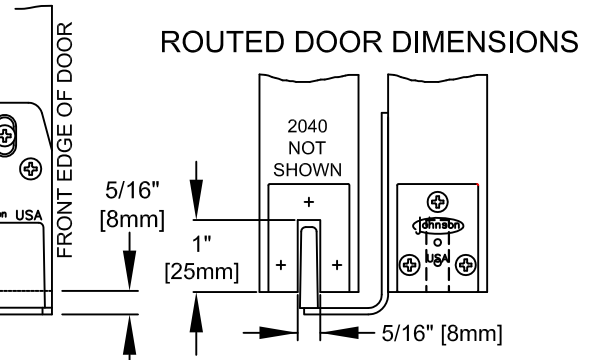
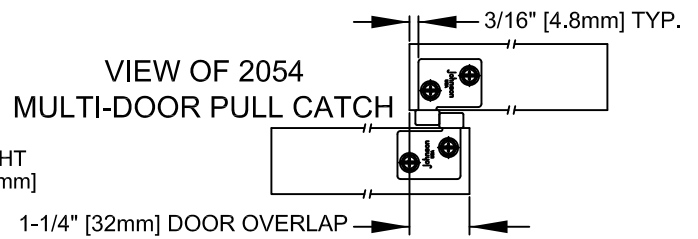
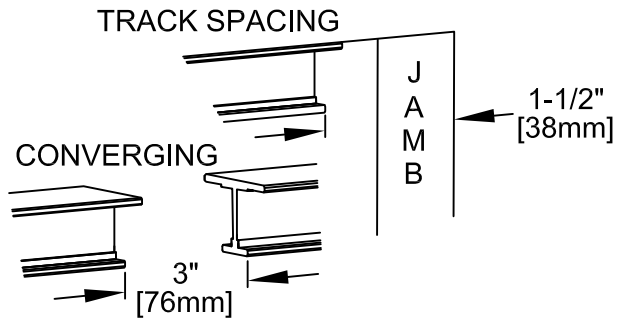
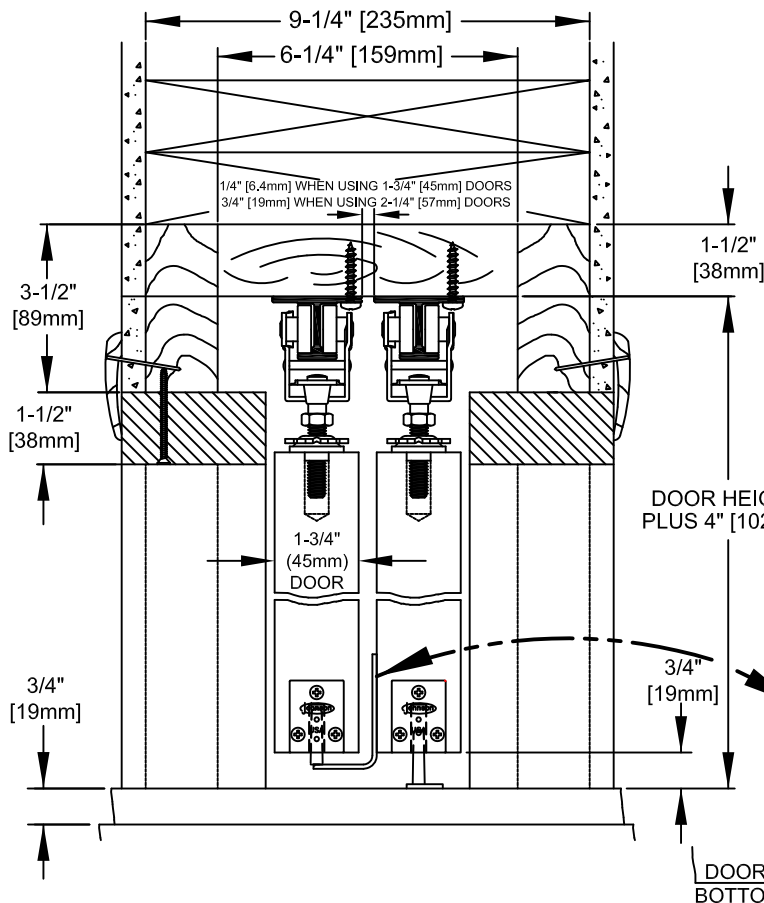
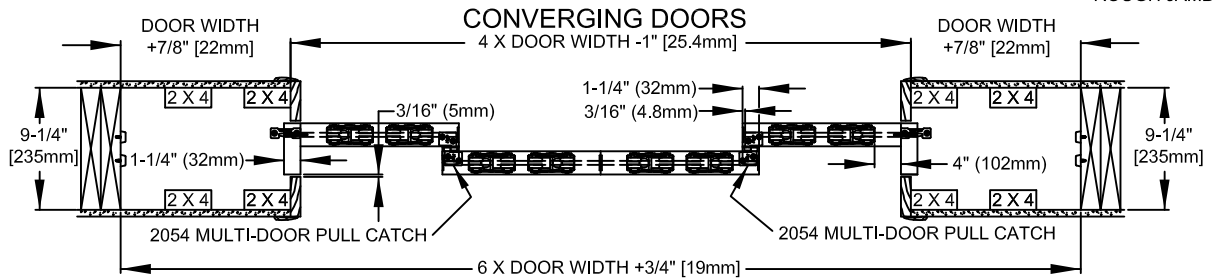
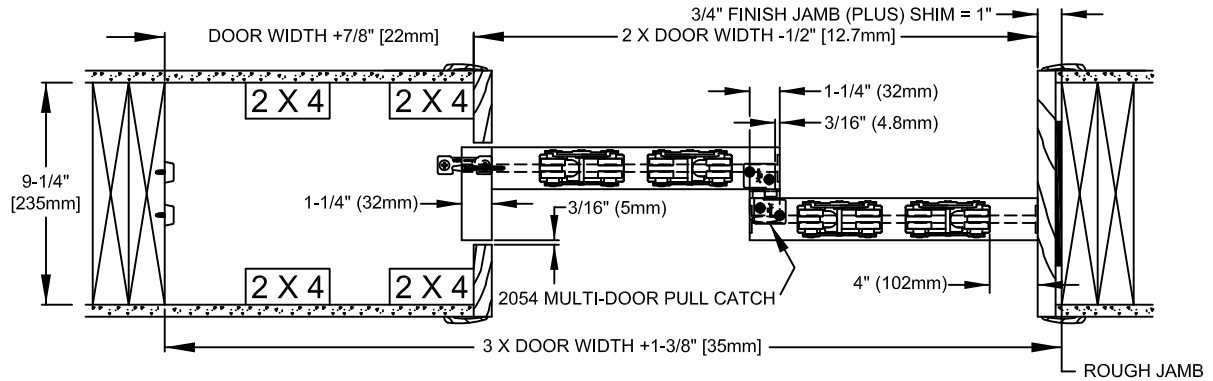


www.johnsonhardware.com

# INSTRUCTIONS

## BYPASS POCKET DOOR 200PD SERIES W/2030

SIDEMOUNT GUIDES  
2033 FOR 1-3/4" [45mm],  
2036 FOR 2-1/4" [57mm]  
DOOR THICKNESS



**1-3/4" (45mm) & 2-1/4" (57mm) DOOR REQUIRES A 2 X 10 STUD WALL**

IN20BPPD L.E. JOHNSON PRODUCTS, INC. - 2100 STERLING AVE. - ELKHART, IN USA 46516 - (574) 293-5664 Rev 4/13

-----INSTRUCTION SHEET IS SUBJECT TO CHANGE-----